

(MM) 54,358  
Claiming Priority of  
DE 102 53 560.4,  
DE 103 13 086.1,  
and DE 103 48 652.6

1/3

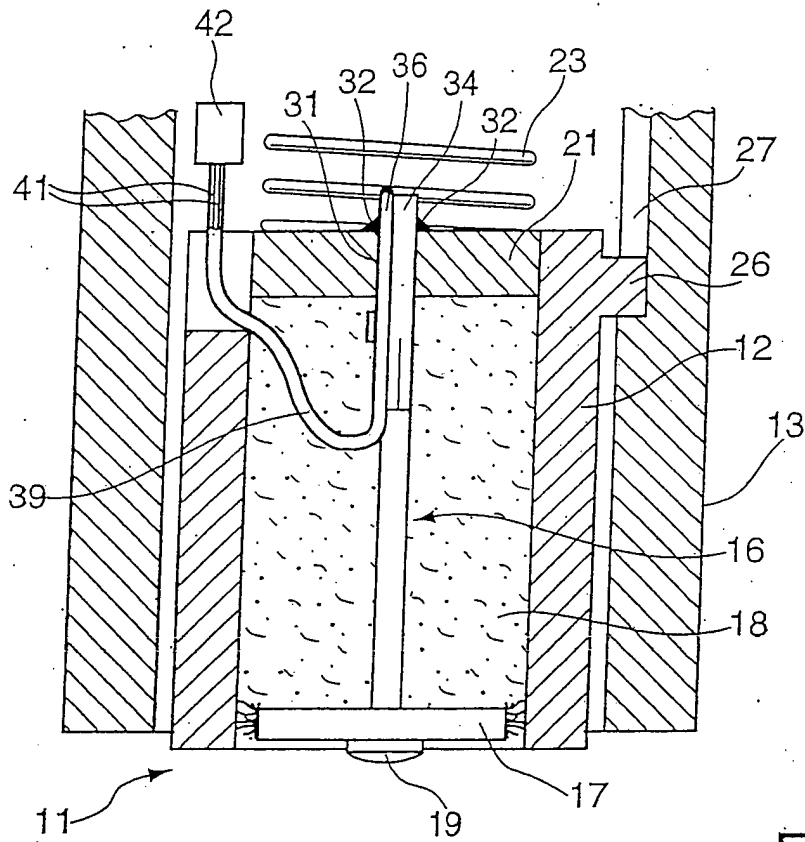


Fig. 1

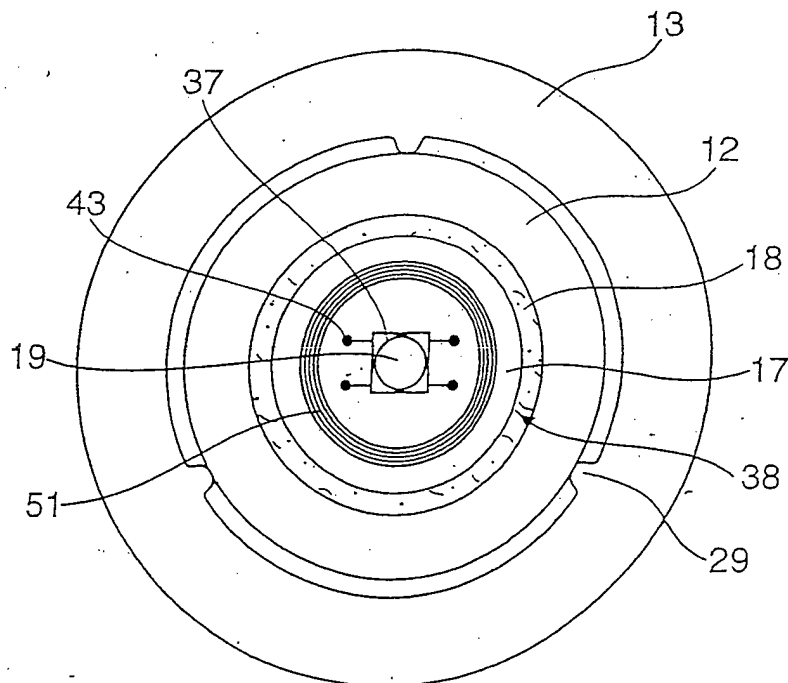


Fig. 2

(mm) 54 358  
Claiming Priority of  
DE 102 33 560.4,  
DE 103 13 086.1,  
and DE 103 48 652.6

2 / 3

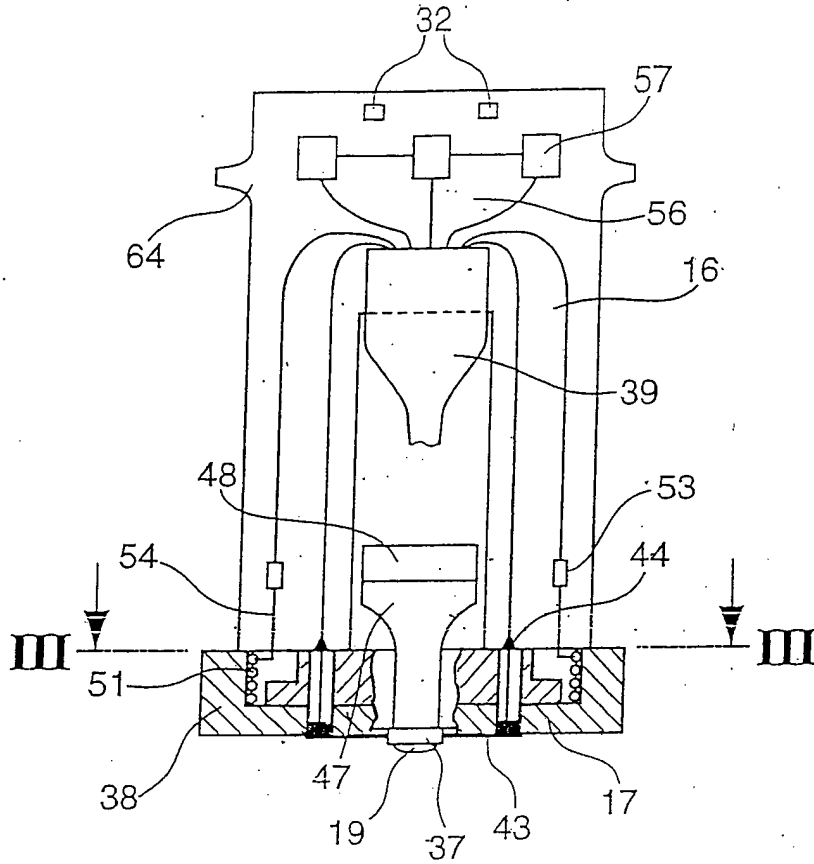


Fig. 3

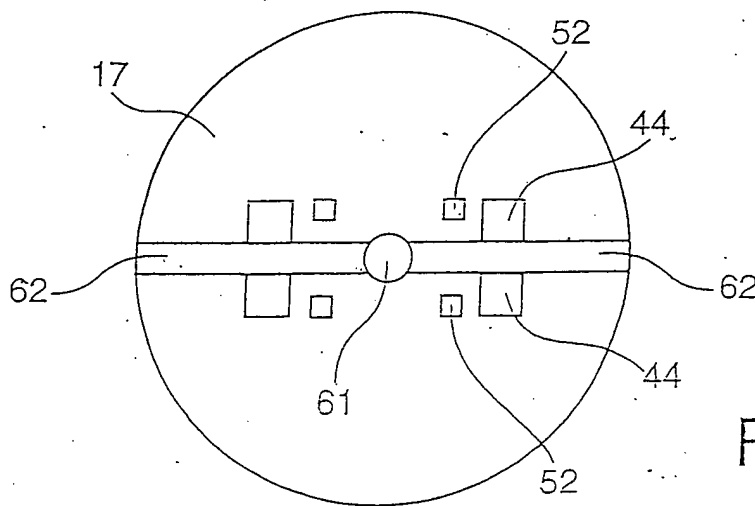


Fig. 4

(mm) 54 358  
Claiming Priority of  
DE 102 53 560.4,  
DE 103 13 086.1,  
and DE 103 48 652.6

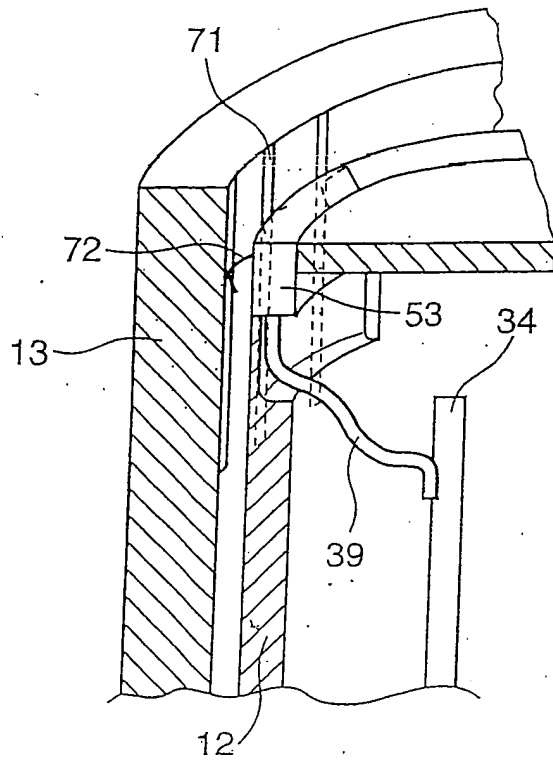


Fig. 5